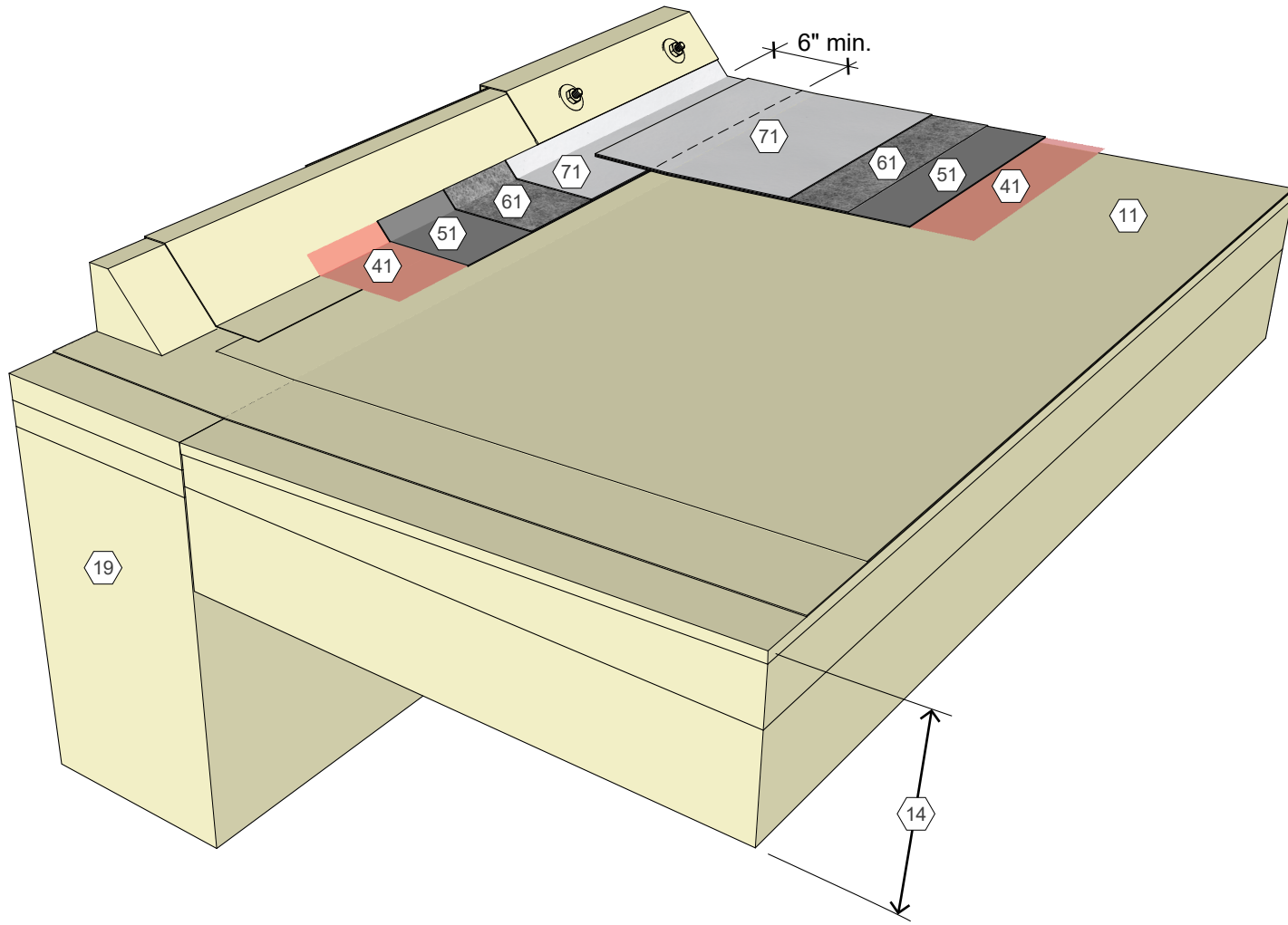


### KEY NOTES

- 11 Existing Single-Ply Membrane
- 14 Existing Structural Deck and Insulation Assembly
- 19 Wall Assembly
- 41 Approved Primer
- 51 AlphaGuard MT/MTS Base Coat
- 61 AlphaGuard Glass Mat or Permafab
- 71 AlphaGuard MT/MTS Top Coat

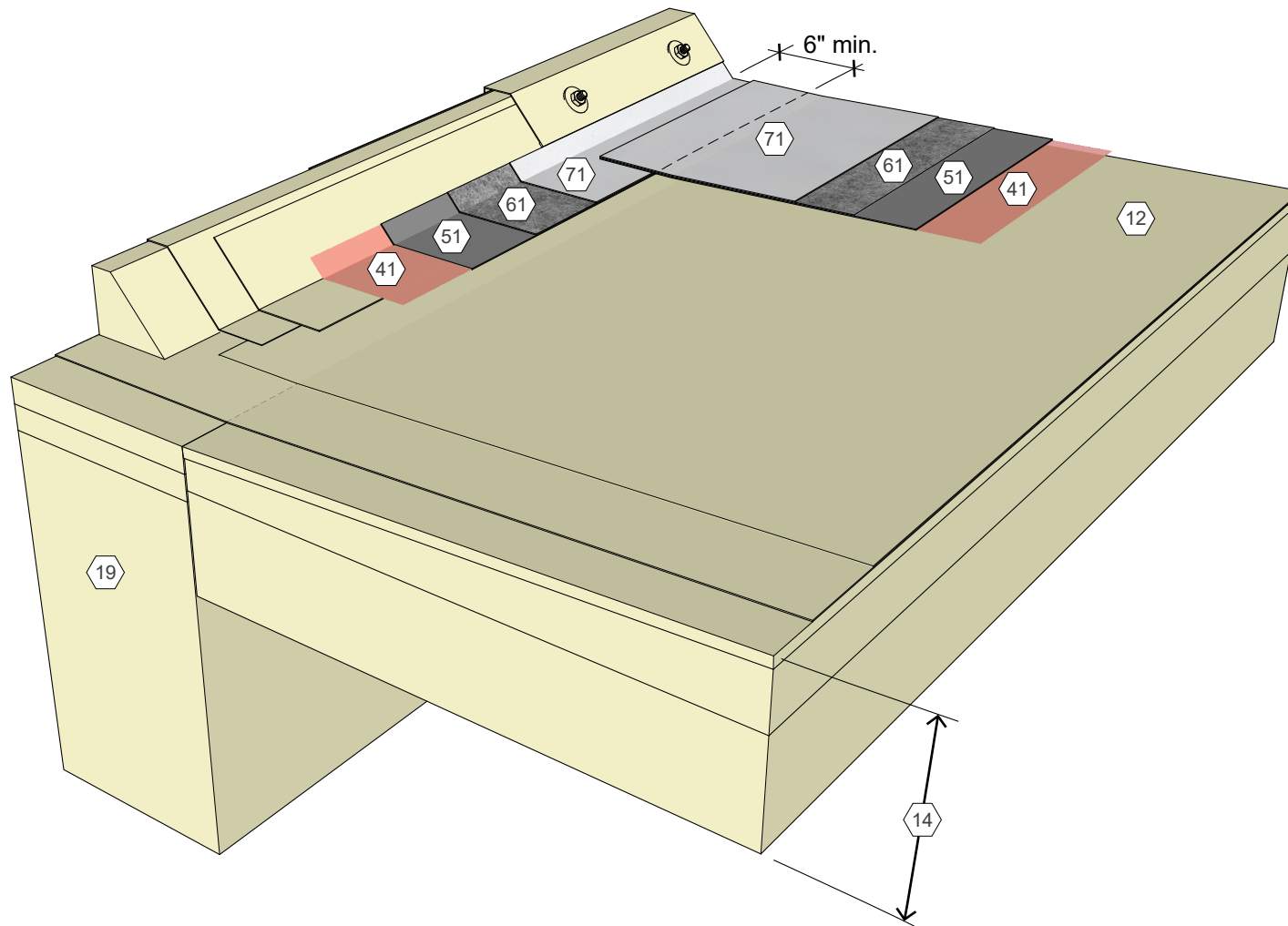


AlphaGuard® MT/MTS Restoration Detail, Single-Ply, Raised Perimeter Edge  
Detail 12021



### KEY NOTES

- 12 Existing MB or Smooth BUR
- 14 Existing Structural Deck and Insulation Assembly
- 19 Wall Assembly
- 41 Approved Primer
- 51 AlphaGuard MT/MTS Base Coat
- 61 AlphaGuard Glass Mat or Permafab
- 71 AlphaGuard MT/MTS Top Coat



AlphaGuard® MT/MTS Restoration Detail, MB or Smooth BUR, Raised Perimeter Edge  
Detail 12022